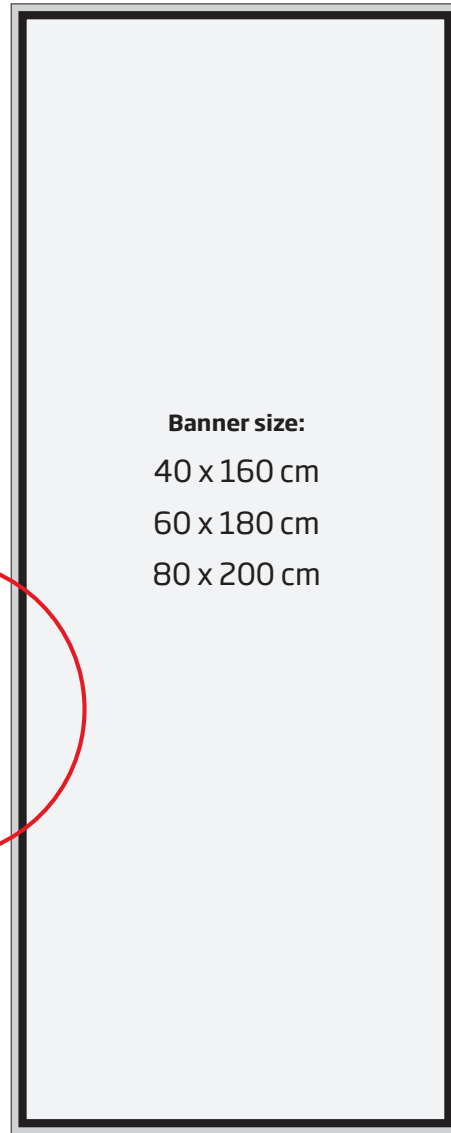



We recommend
PVC film 500 my





Mount the inkl. magnetic stripe:
3 mm from the print border

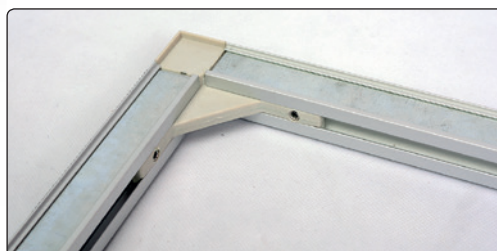
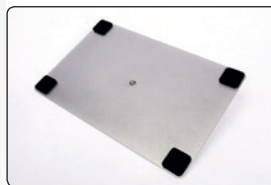
Banner size:
40 x 160 cm
60 x 180 cm
80 x 200 cm

Delivered without banner and print!

 Stable double sided banner stand with an aluminum frame and a heavy but flat base. Available in three different sizes (40 x 160 cm, 60 x 180 cm and 80 x 200 cm). Easy to assemble. The print is mounted using magnetic tape (included) and is easily mounted to the stand. Delivered without banner and print.

 Stabiler doppelseitiger Bannerhalter mit Aluminiumrahmen und schweren flachen Fuß. Erhältlich in 3 verschiedenen Größen 40 x 160 - 60 x 180 - 80 x 200 cm. Leicht zusammenzubauen. Der Druck wird mit Magnetband (inkl.) in den Kanten befestigt und ist leicht montiert am Bannerhalter. Die Lieferung erfolgt ohne Banner.

 Stabil, dobbeltsidet bannerstander med aluminiumramme og tung, flad fod. Kan leveres i 3 forskellige størrelser 40 x 160 - 60 x 180 - 80 x 200 cm. Let at samle. Printet monteres med magnetbånd (inkl.) i kanten og sættes let op på standeren. Leveres uden banner og print.



Model	Art.no.	Banner print size	Colour	Total W x H x D	Package size and weight	Pallet size and quantity
408	4440	40 x 160 cm	Alu/silver	40,5 x 161 x 25 cm	7 x 29 x 84 cm 7,5 kg	80 x 120 x 190 cm 88 pcs.
408	4441	60 x 180 cm	Alu/silver	60,5 x 181 x 25 cm	7 x 29 x 94 cm 9,0 kg	80 x 120 x 210 cm 88 pcs.
408	4442	80 x 200 cm	Alu/silver	40,5 x 201 x 25 cm	7 x 29 x 104 cm 11,0 kg	80 x 120 x 210 cm 64 pcs.

Assembling of the Magnetic Stand-up



a



b



c



d



e



f



g



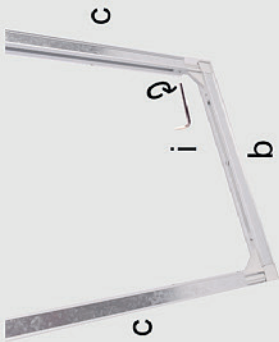
h



i

1 Connect C and B.

Tighten the little screws with i.



2 Connect D and E.

Tighten the little screws with i.

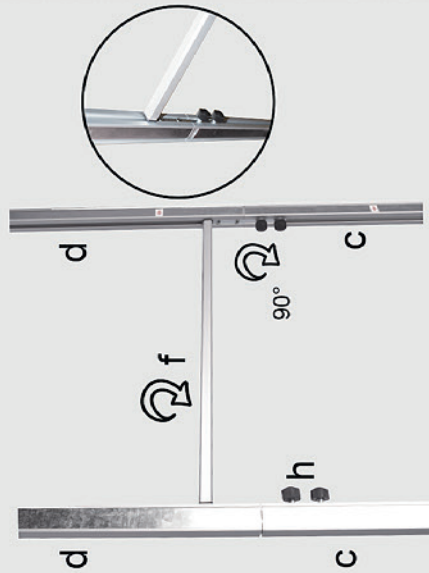


3 Connect C and D.



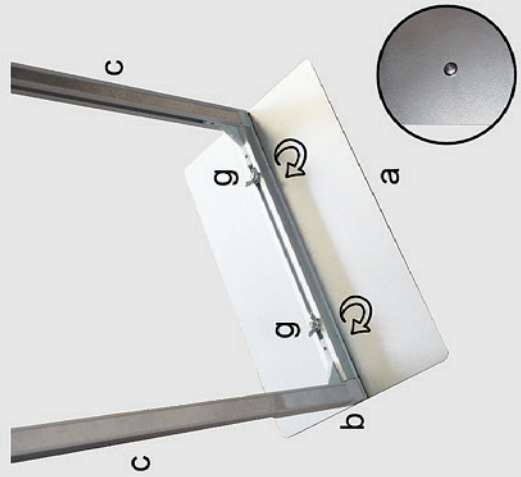
4 Insert F into C and rotate to fixation.

Screwed H.



5 Connect B and the base A

by using screw G.



6 Put on the PVC graphic.



7 Finished.



Disassemble in the reverse order! **Caution:** Make sure the graphic is folded neatly and save it in bag after using, to avoid wrinkle!