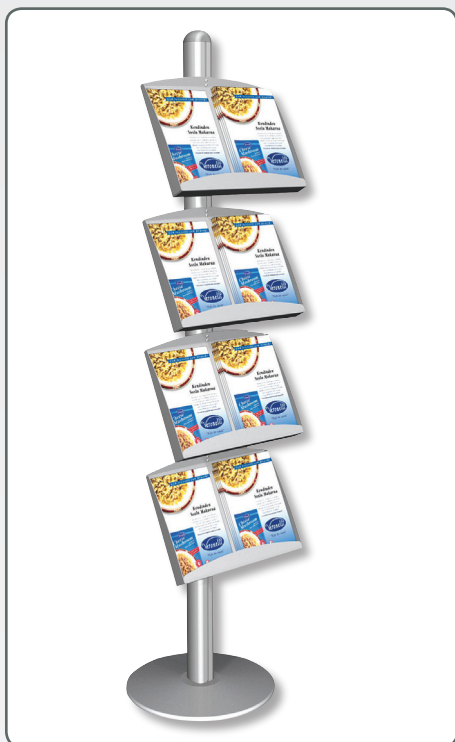


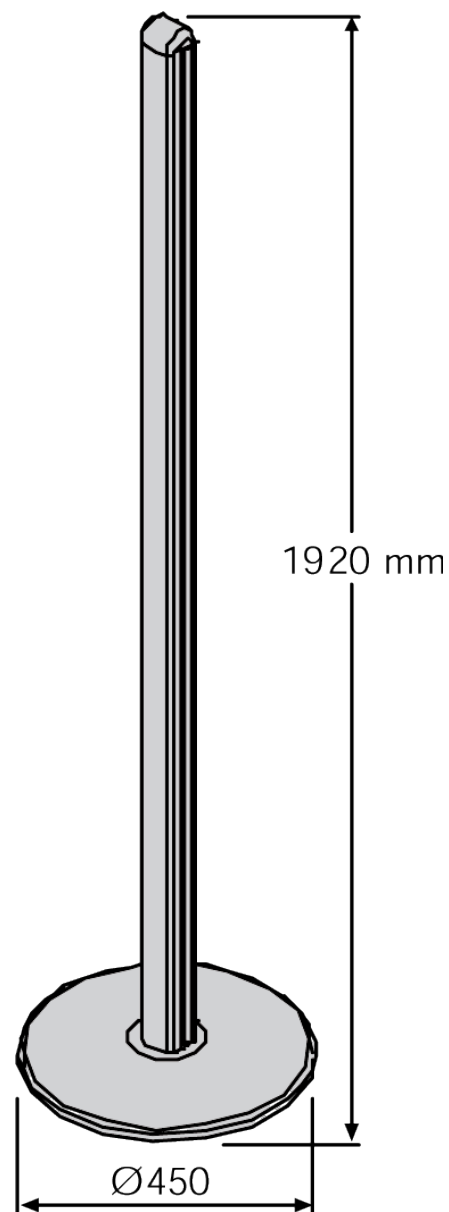
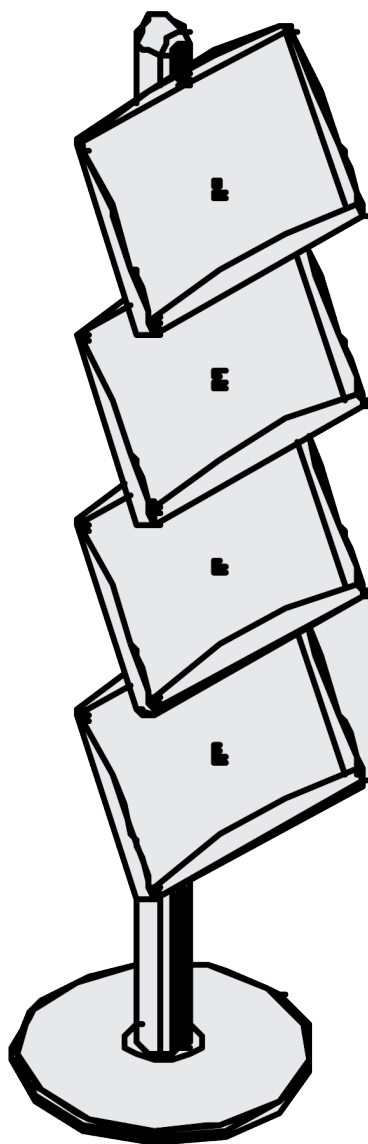


## Technical Guide



### 907 Multistand 7 Singlesided

Aluminium stand with 4 pcs. 2 x A4 brochureholder made of steel or acrylic. For indoor use.



Model	Art. No.	Poster size	Color	Total W x H	Foot	Package Size	- Weight	Pallet Size	- Quantity
907	2970	A3	Alu	47*190 cm	45 cm	8*195*9 + 47*47*5 + 36*47*24 cm	20 kg	80*120*220 cm	30 pcs.
907	2971	A3	Acryl	47*190 cm	45 cm	8*195*9 + 47*47*5 + 36*47*24 cm	17 kg	80*120*220 cm	30 pcs.