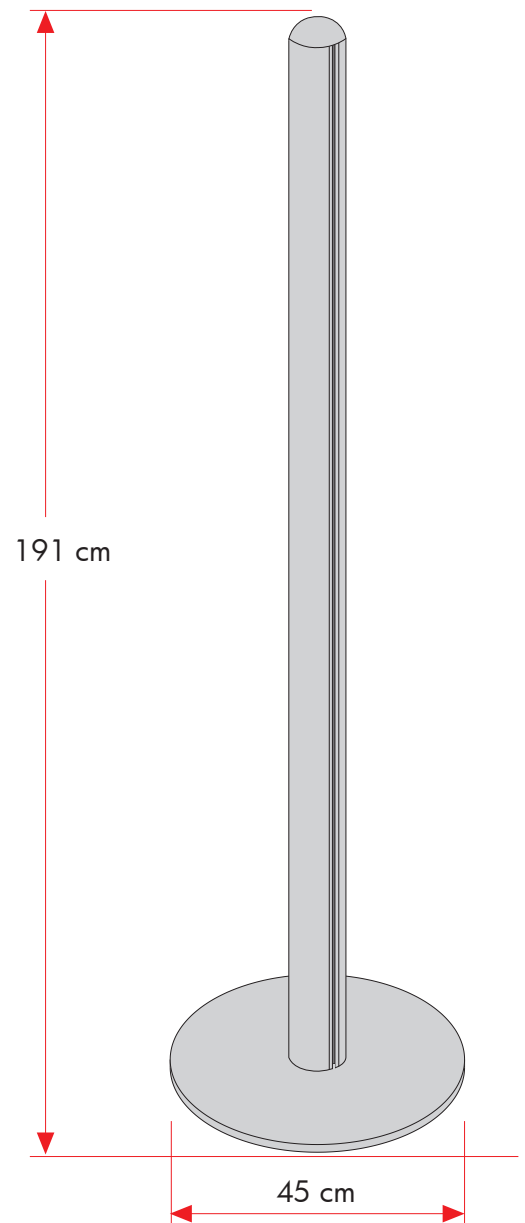
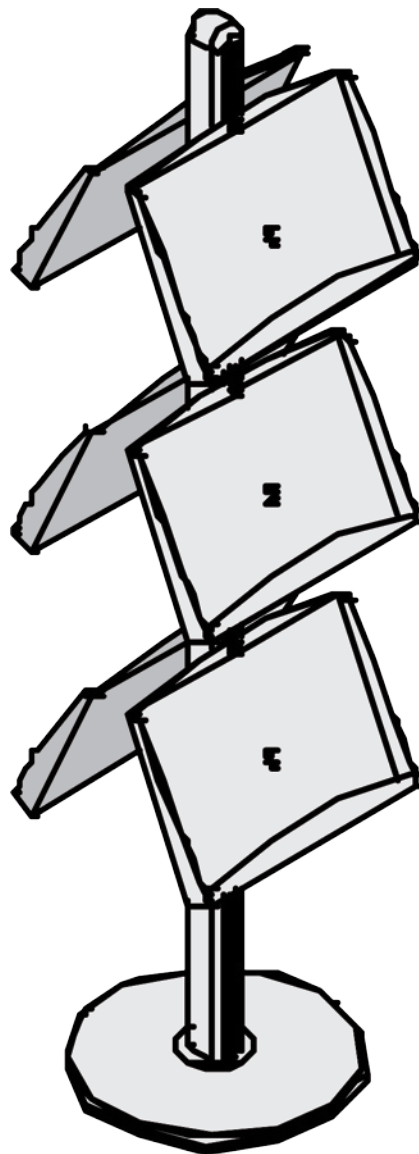


906 | Multi Stand 6 Double sided

FOR INDOOR USE!

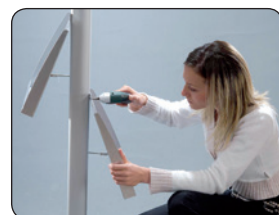
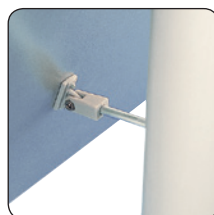
TECHNICAL GUIDE



🇬🇧 Aluminum stand with 6 pcs. 2 x A4 brochure holders made of steel or acrylic. For indoor use.

🇩🇪 Aluminium Ständer, doppelseitig, mit 6 Stück 2 x A4 Prospekthalter aus Stahl oder Acryl. Für den Innenbereich.

🇩🇰 Aluminium stander monteret med 6 stk. 2 x A4 brochureholdere i stål eller akryl. Til indendørs brug.



Model	Art. no.	Capacity	Colour	Total W x H	Base	Package size and weight	Pallet size and quantity
906	2960	29,7 x 42 cm A3	Alu	47 x 190 cm	Ø 45 cm	8x195x9 + 47x47x5 + 36x47x12 cm 23,5 kg	80x120x220 cm 30 pcs.
906	2961	-	Acrylic	47 x 190 cm	-	8x195x9 + 47x47x5 + 36x47x36 cm 19,0 kg	80x120x220 cm 30 pcs.