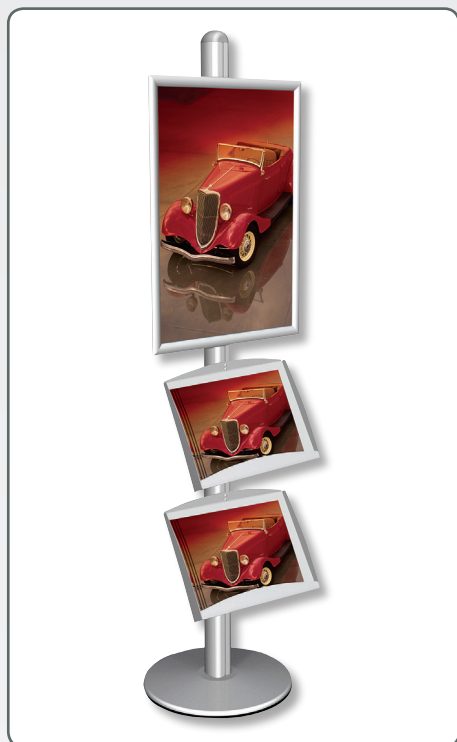


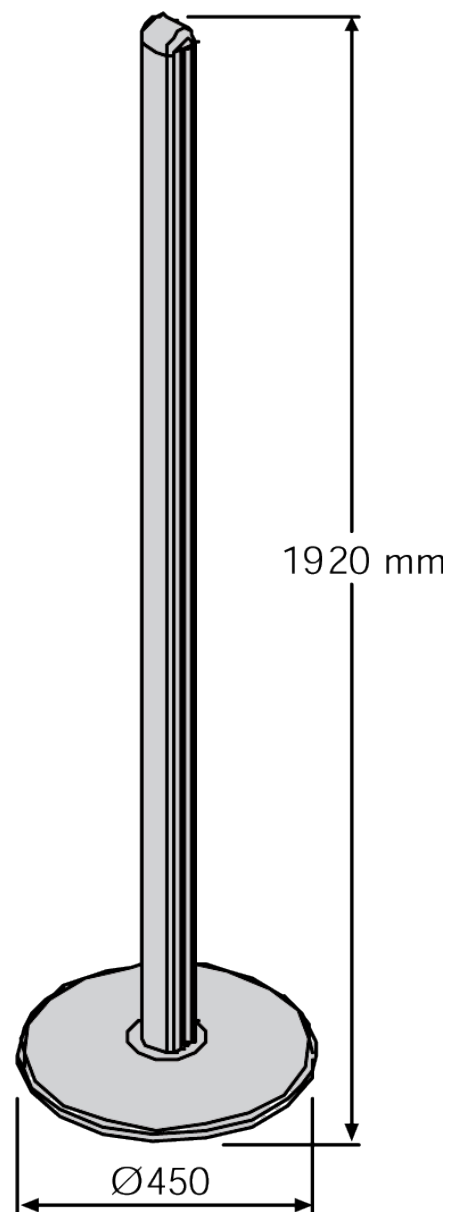
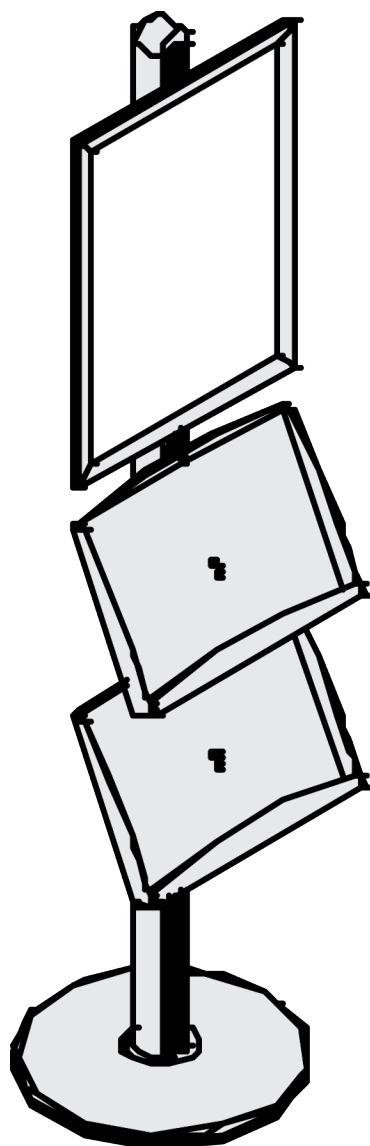


## Technical Guide



### 903 Multistand 3 Singlesided

Aluminium stand with 1 pcs. 25 mm Alu Snap Frame and 2 pcs. 2 x A4 brochureholder made of steel or acrylic. For indoor use.



Model	Art.No.	Poster size	Color	Total W x H	Foot	Package Size	- Weight	Pallet Size	- Quantity
903	2930	50*70 cm	Alu	52,9*190cm	45 cm	8*195*9 + 47*47*5 + 56*76*15 cm	18 kg	80*120*220 cm	30 pcs.
903	2931	60*85 cm	Alu	62,3*190 cm	45 cm	8*195*9 + 47*47*5 + 66*91*15 cm	19 kg	80*120*220 cm	30 pcs.
903	2932	70*100 cm	Alu	72,9*190 cm	45 cm	8*195*9 + 47*47*5 + 76*106*15 cm	20 kg	80*120*220 cm	30 pcs.
903	2933	50*70 cm	Acryl	52,9*190 cm	45 cm	8*195*9 + 47*47*5 + 56*76*15 cm	17 kg	80*120*220 cm	30 pcs.
903	2934	60*85 cm	Acryl	62,3*190 cm	45 cm	8*195*9 + 47*47*5 + 66*91*15 cm	18 kg	80*120*220 cm	30 pcs.
903	2935	70*100 cm	Acryl	72,9*190 cm	45 cm	8*195*9 + 47*47*5 + 76*106*15 cm	19 kg	80*120*220 cm	30 pcs.